




SANTA'S SECRET AGENTS™

If you lost the suitcase don't worry, you can make it yourself and you need the following:

- 1 Regular paper or photography paper 
- 2 Scissors 
- 3 Glue or two sided scotch tape 

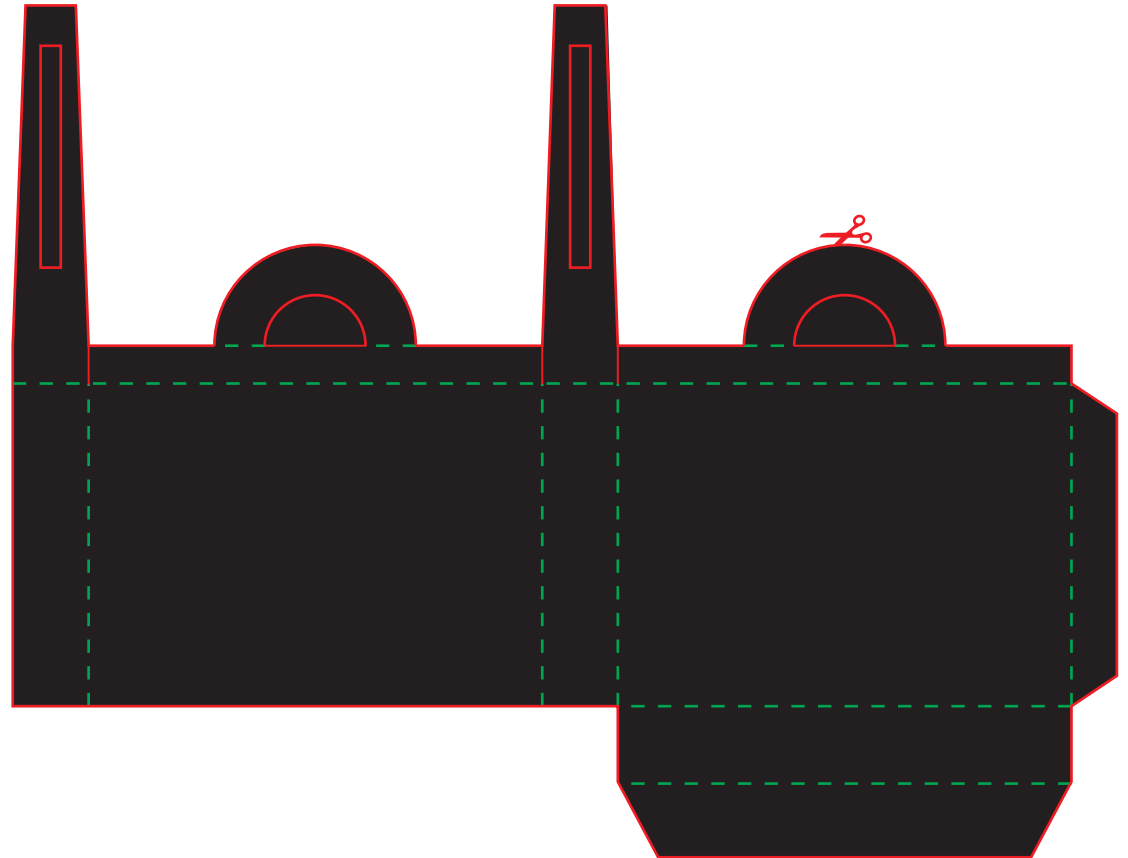
Max's Suitcase

Cut Line 

Fold Line 



Final Output



How to make Max's Suitcase?

Step 1

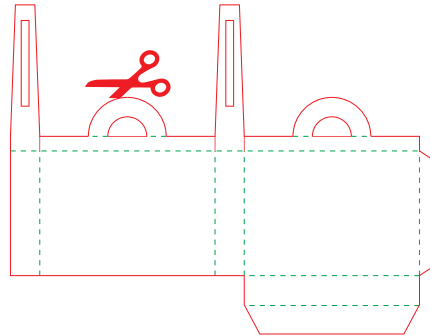
Print



Print the Diecut of Max's Suitcase

Step 2

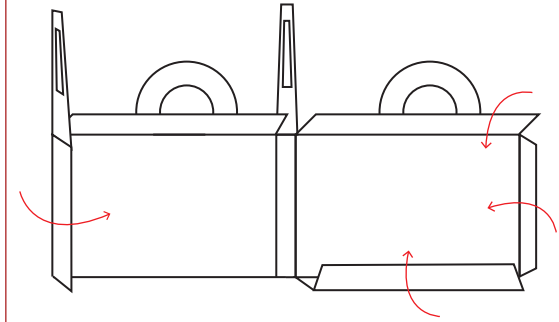
Cut



Cut the Diecut of Max's Suitcase

Step 3

Fold

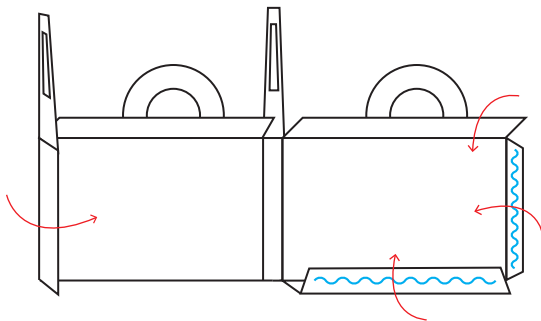


Fold the Diecut of Max's Suitcase

Step 4

Glue and Fold

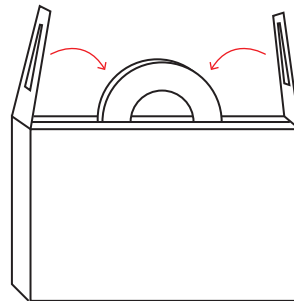
Glue Line ~~~~~



Glue and Fold the Diecut of Max's Suitcase

Step 5

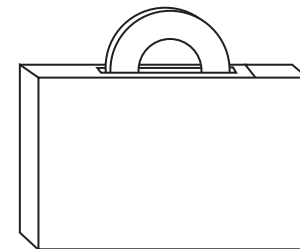
Fold Flaps



Fold both flaps inwards and make sure the handle goes through the holes of the flaps

Step 6

Final View



Final output of Max's Suitcase